

www.IntlInteractive.com

# PISA LIFT

Industrial, Construction, & Garage Equipments



شركة عكلوك إخوان

AKLOUK BROS. CO.


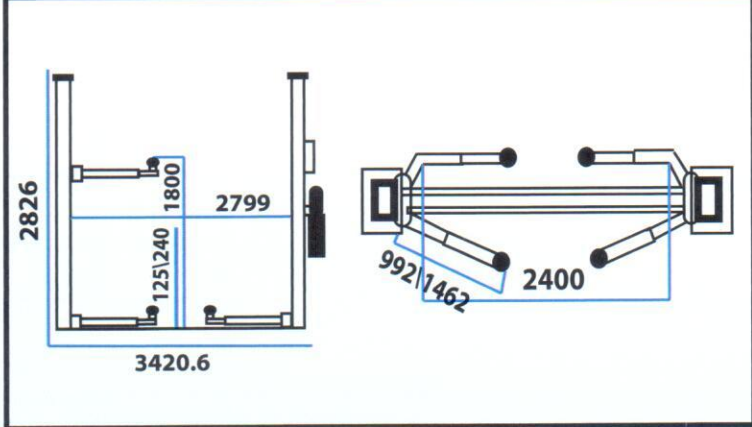
# ABC

Industrial, Cleaning, & Garage Equipment

Made In China

## AUTOMOTIVE LIFTING EQUIPMENT


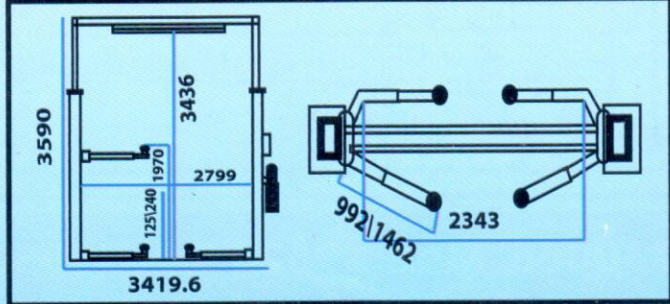
**TPF-9A**

Technical drawing dimensions for TPF-9A:

- Overall height: 2826
- Clearance height: 1800
- Clearance height: 125/240
- Clearance height: 2799
- Overall width: 3420.6
- Arm length: 992/1462
- Arm length: 2400


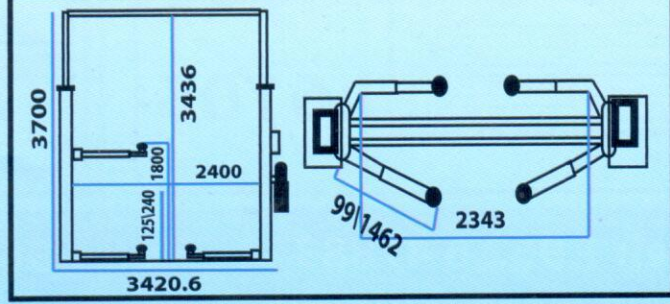
**Pro-9D**

Technical drawing dimensions for Pro-9D:

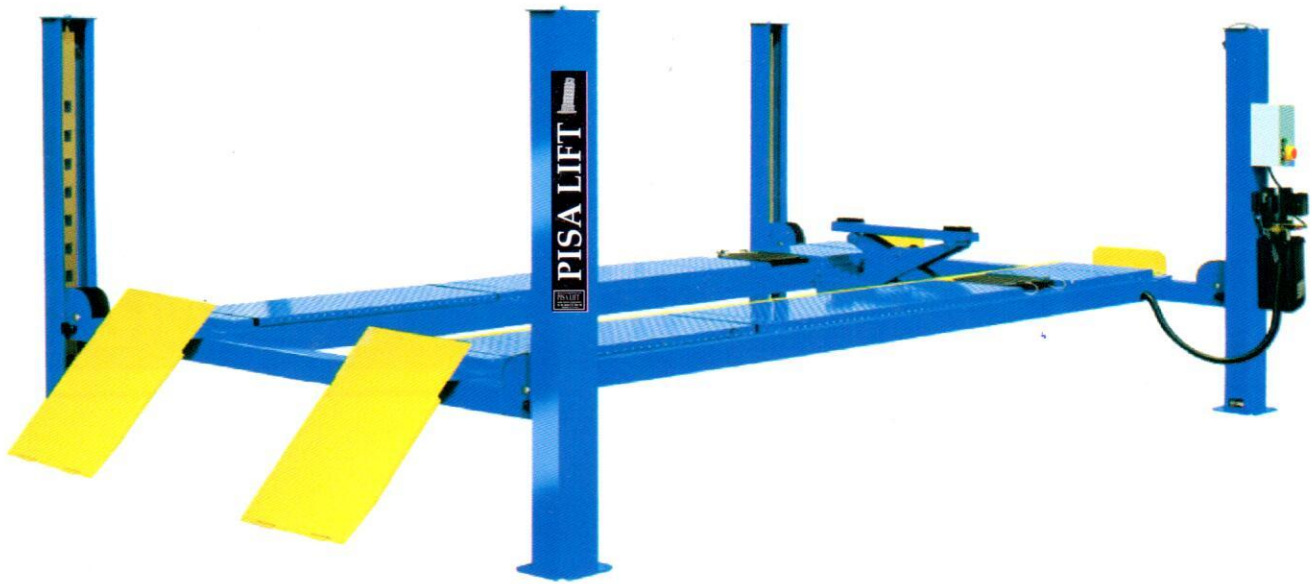
- Overall height: 3590
- Clearance height: 3436
- Clearance height: 1970
- Clearance height: 2799
- Overall width: 3419.6
- Arm length: 125/240
- Arm length: 992/1462
- Arm length: 2343

**TPO-9A**

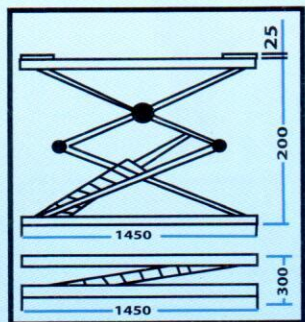
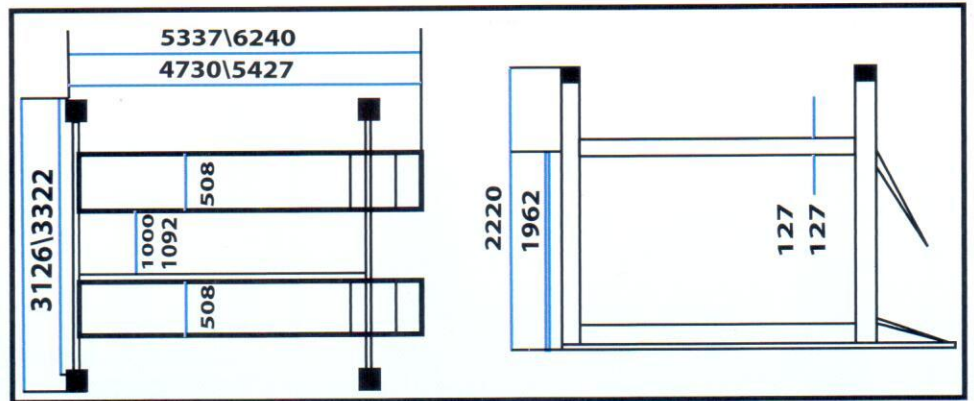



Technical drawing dimensions for TPO-9A:

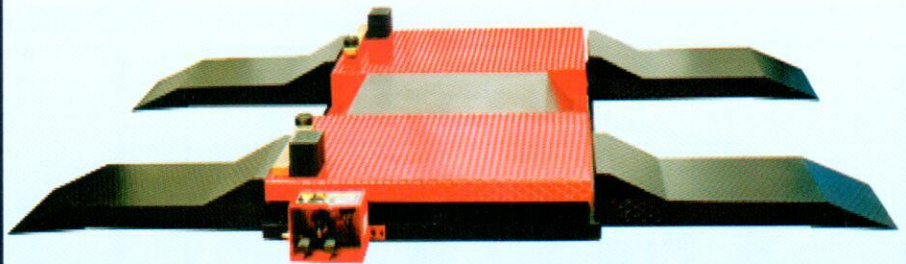
- Overall height: 3700
- Clearance height: 3436
- Clearance height: 1800
- Clearance height: 2400
- Overall width: 3420.6
- Arm length: 125/240
- Arm length: 99/1462
- Arm length: 2343



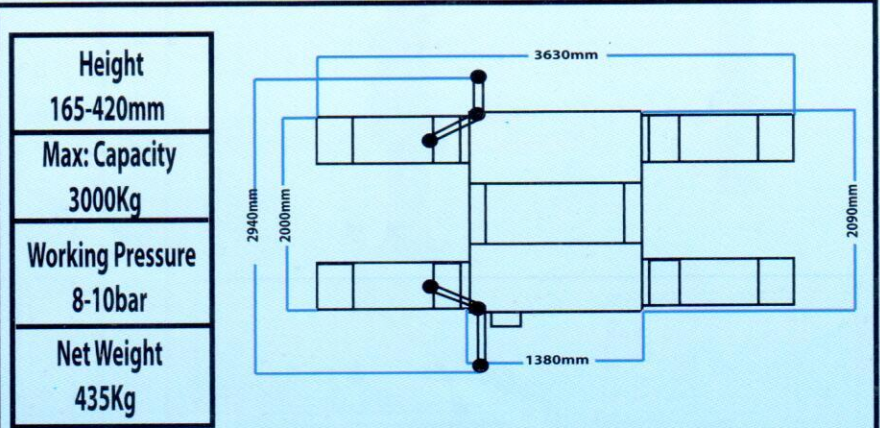
# NH 4D - 9



# L6105



# Platform Lift 2K



Height	165-420mm
Max: Capacity	3000Kg
Working Pressure	8-10bar
Net Weight	435Kg